

DMX 5000 Series

▲ Power and Flexibility for Your Process

The DMX 5000 Series is our utility line of portable mixers. This line of mixers includes the Clamp, Plate, or Flange mounted portable mixers. The DMX can be configured according to your needs and engineered for optimal performance.

Ask about our Solution Assurance.

Portable Mixers

Clamp Mount Electric **LEFT**

Pedestal/Flange Mount Air **RIGHT**

* All models are available with air or electric drives, and configured to suit your needs. These mixers are typical representations.

Side Entry Mixers

SMX 5300 Series



Configuration Options

Motors	HP Range: ½ to 2	▶ Air, electric, variable speed, explosion-proof, and more
Gear Reduction	6:1, 10:1, 21:1	▶ Low RPM mixing with substantial torque available
Mounting	Clamp, Plate and Flange	▶ Adaptable to any type of tank
Impellers	Dynaflow™, P4 Pitch, Radial	▶ A full range enables your mixer to deliver perfect mixing quality

→ [Get a Quote Now!](#)

THE DYNAMIX SOLUTION ASSURANCE

We provide performance-guaranteed solutions designed for your PRODUCT, PROCESS, and ENVIRONMENT.

At Dynamix, we provide you with a SOLUTION, not just a mixer.



The Difference?

We consider your **Product**, **Process**, and **Environment**.

Our commitment to this is embodied by our **Solution Assurance** – our process guarantee.

DMX 5000 Series Features

▲ Compression Gear Drive ^a

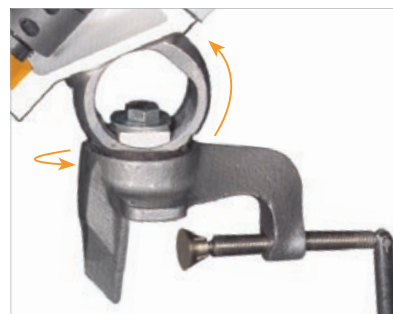
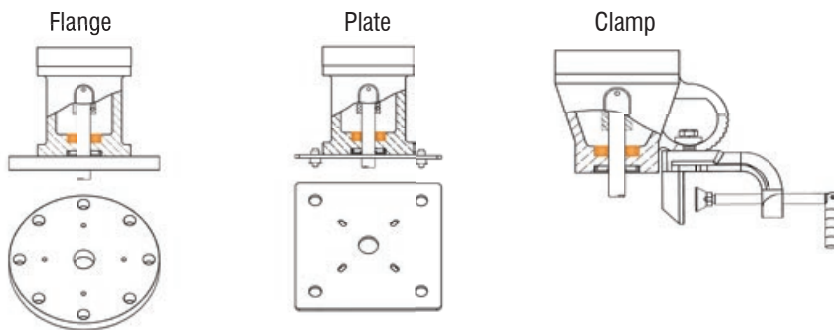
HIGH SHOCK LOAD RATING When buying a mixer, you are investing in torque and the construction to handle this torque. Our DMX 5000 Series offers one of the widest ranges of gear reduction; (6:1 – 21:1) or (292 – 83rpm). For heavy-duty applications, where processes just can't fail, we offer our DMX heavy-duty models. These mixers can handle shock loads that are greater than 500% of their rating.



a Rolling compression removes shear and slipping problems related to traditional tooth gears.

▲ Mounting Options ^b

FLEXIBILITY We offer Flange Mount, Plate Mount, and Clamp Mount.



b Clamp Mount directional ball joint pivots on two axes allowing mixing precisely where it is needed. Indexed to lock mixing position.

▲ Auxiliary Bearing Configuration ^c

DURABILITY Auxiliary Bearings are the difference between an economy mixer and one designed for long-term use. Do not let your mixer supplier rely on the bearings in the motor. Dynamix uses auxiliary bearings in both the Clamp Mount (shown) and Pedestal Mount in order to isolate loads from the motor. This allows the motor to run efficiently and without damage.

Do not accept aluminum as a clamp mount material. The clamping mount maintains substantial stress to endure the loads of mixing. We use cast steel for our clamp. This ensures secure mounting and long mixing life.

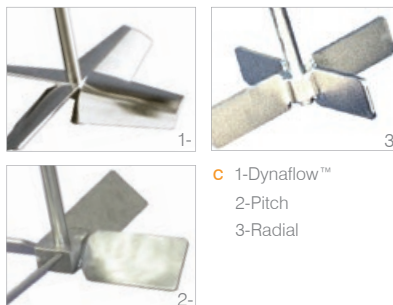
CONTAMINATION The mounts shown above include a pedestal configuration to separate the gearbox from the output shaft. All gearboxes are grease lubricated (not oil). This reduces the potential for lubrication to follow the shaft into your application. Dynamix has added additional protection with a Double Lip Seal at the output end of the mount.



c Auxiliary bearing available with clamp mount (shown) and pedestal mount to limit overhung loads on drive.

▲ Customizable Impellers ^d

OPTIMIZED MIXING Impeller selection is a key point of any mixer configuration. Starting with the right impeller means the rest of the mixer can work in balance and provide quality mixing. Issues such as uniformity, area of influence, shear, solid suspension, and many others are addressed by the impeller selection.



c 1-Dynaflow™
2-Pitch
3-Radial

[Get a Quote Now!](#)