

Sullivan Palatek

DE300 - DE375 Series Portable Compressors



- Large, 127mm (D375) Diameter Twin Screw Air End
- Exclusive Three Year Warranty on Air End
- Automatic 0 to 100% Capacity Control
- Two Stage Dry Type Air Filter
- Oil Level Sight Gauge
- Side by Side Coolers for Compressor and Engine
- John Deere or Caterpillar TIER III Engines
- Steel Fuel Tank
- Cooler Access Panel for Cleaning
- Safety Chains
- 15" Wheels & Tires
- Choice of Lunnette Eye or Ball Hitch on Height Adjustable Drawbar
- Large Full Length Tool Boxes in Each Side with Lockable Handles
- Noise Level Limited to Maximum of 76 dBA at 7 Meters
- Easily Removable Upper Enclosure
- Galvaneal Enclosure-Rust & Corrosion Resistant
- Low Fuel Level Shutdown
- Automatic Shutdown and Protection System
- Containment Base
- Remote Drains
- Automatic Blowdown Valve
- Stop, Turn, Tail Lights
- Unloaded Starting

Standard Instrumentation

- Alternator Light*
- Fuel Level Gauge*
- Discharge Pressure Gauge*
- Hourmeter*
- Engine Oil Pressure Gauge**
- Engine Water Temperature Gauge**
- High-Low Selector Switch for Dual Pressure (D375's only)

Optional Equipment

- Instrument Quality Air*
- Aftercooler*
- Water Separator/Trap*
- Discharge Air Filtration to 0.01 micron*
- Hose Reels*
- Gauges*
- Tachometer*

PLUS MANY OTHERS

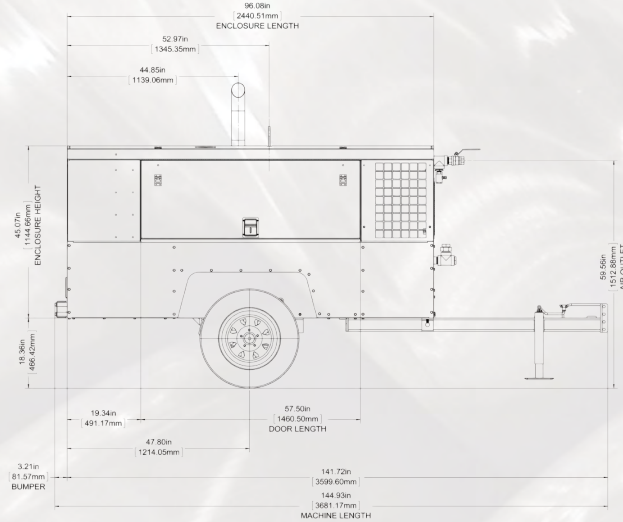
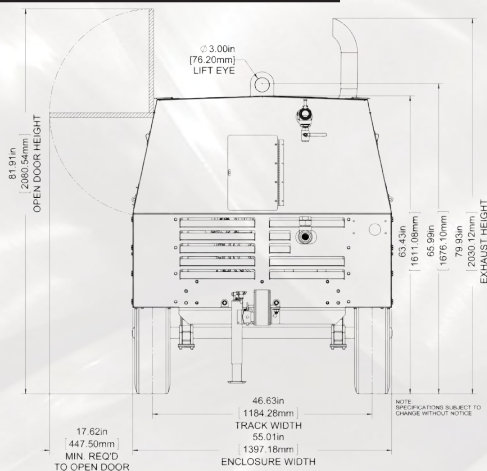
*Warning Light Used on CAT Powered Units

Dedicated to Quality & Committed to Support

TECHNICAL DATA

Specifications subject to change without notice.

DIMENSIONS



COMPRESSOR

DE300PDHHJD

DE375PDJD

DE375PDCA

Type	Single Stage, Oil Flooded Rotary Screw	Single Stage, Oil Flooded Rotary Screw	Single Stage, Oil Flooded Rotary Screw
Ambient Oper. Temp. Range	-20° to +125°F (-29° to +52°C)	-20° to +125°F (-29° to +52°C)	-20° to +125°F (-29° to +52°C)
Oil Capacity	10 gal. (38 L)	10 gal. (38 L)	10 gal. (38 L)
Total Receiver Volume	3.6 ft. ³ (102 L)	3.6 ft. ³ (102 L)	3.6 ft. ³ (102 L)
Air Service Connections	One 1 1/2" NPT/Two 3/4" NPT	One 1 1/2" NPT/Two 3/4" NPT	One 1 1/2" NPT/Two 3/4" NPT
Type Cooling System	Oil to Air	Oil to Air	Oil to Air
Type Air Intake System	Two Stage Dry	Two Stage Dry	Two Stage Dry
Type of Control	0-100% Demand	0-100% Demand	0-100% Demand
Tire Size	ST 205/75D15 Hwy Tubeless	ST 205/75D15 Hwy Tubeless	ST 205/75D15 Hwy Tubeless
Rated Delivery	300 cfm (8.49 m ³ /min)	375 cfm (10.6 m ³ /min)	375 cfm (10.6 m ³ /min)
Rated Operating Pressure	200 psig (13.79 Bar)	150 psig (10.34 Bar)	150 psig (10.34 Bar)
Operating Pressure Range	70-200 psig (4.8-13.79 Bar)	70-165 psig (4.8-11.38Bar)	70-165 psig (4.8-11.38 Bar)
Estimated Weight, Serviced	3400 lbs	3400 lbs	3395 lbs

ENGINE

DE300PDHHJD

DE375PDJD

DE375PDCA

Type	Diesel	Diesel	Diesel
Make	JOHN DEERE	JOHN DEERE	CATERPILLAR
Model	4045HF285 (TIER 3)	4045HF285 (TIER 3)	C4.4T (TIER 3)
Number of Cylinders	4	4	4
Bore and Stroke	4.19" x 5" (106 x 127mm)	4.19" x 5" (106 x 127mm)	4.1" X 5" (105 X 12mm)
Displacement	276 in ³ (4.5 L)	276 in ³ (4.5 L)	268 in ³ (4.4 L)
Total Oil Capacity	15.53 qts (14.7 L)	15.53 qts (14.7 L)	8.5 qts. (2.25 L)
Cooling System Capacity	16 qts. (15.1 L)	16 qts (15.1 L)	16 qts. (15.1 L)
Battery Rating	12 Volts	12 Volts	12 Volts
CCA @ 0°F	850 Amps	850 Amps	850 Amps
Idle Speed	1650 RPM	1650 RPM	1650 RPM
Fuel Tank Capacity	40 gal. (151 L)	40 gal (151 L)	40 gal. (151 L)
Horsepower @ rated RPM	140 HP	140 HP	126 HP
Full Load Speed	2300 RPM	2475 RPM	2350 RPM

**Sullivan
Palatek**

1201 W. US Highway 20
Michigan City, IN 46360
www.sullivan-palatek.com

Tel: 219-874-2497
Tel: 800-438-6203

Email: info@palatek.com

