

EBARA



EBARA

Submersible Wastewater Pump

Model DSC3, DSCA3



water | wastewater | flood control

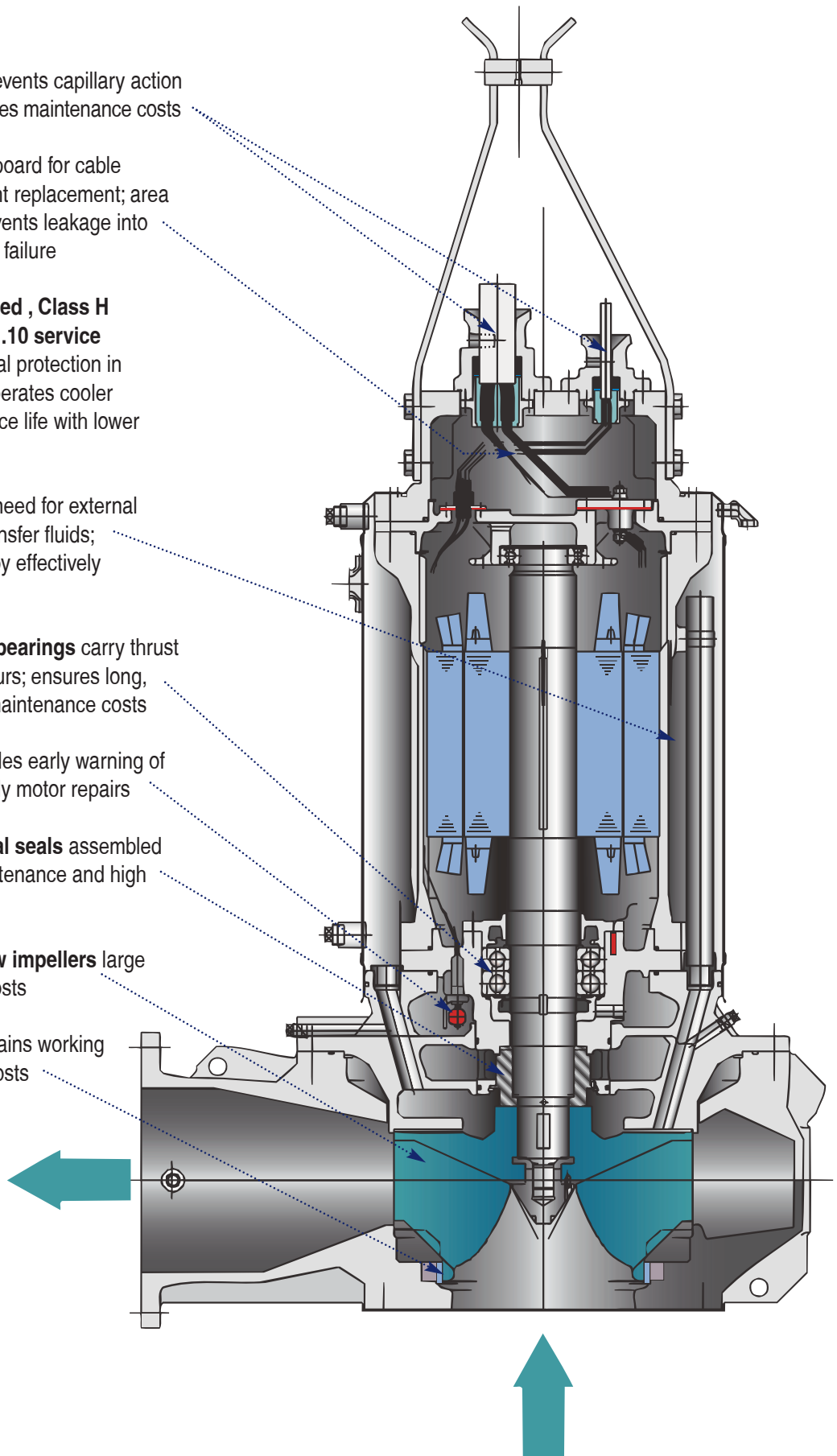
EBARA Fluid Handling

an EBARA International Corporation company

Model DSC3 / DSCA3

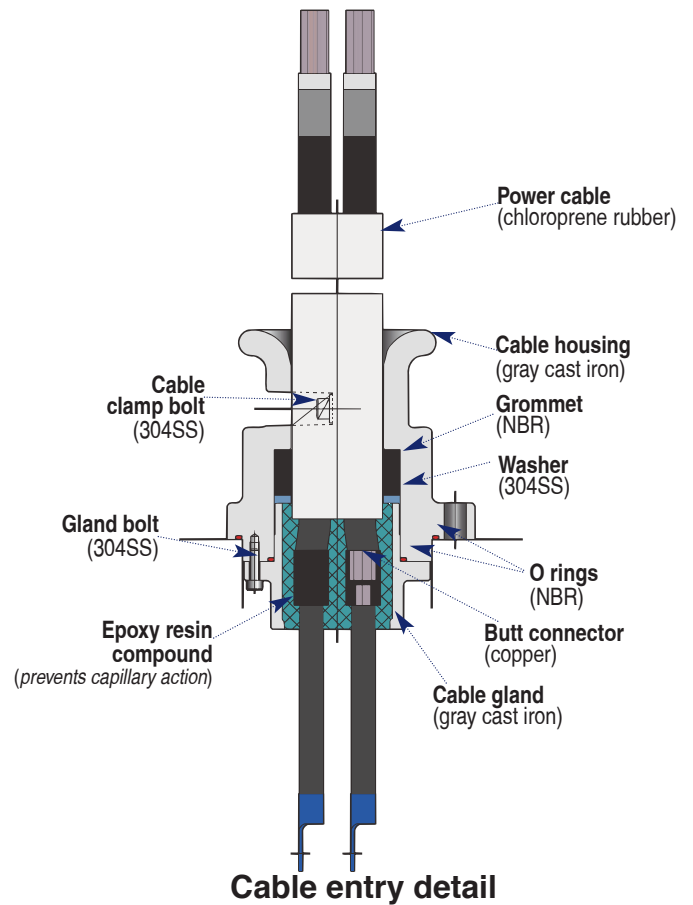
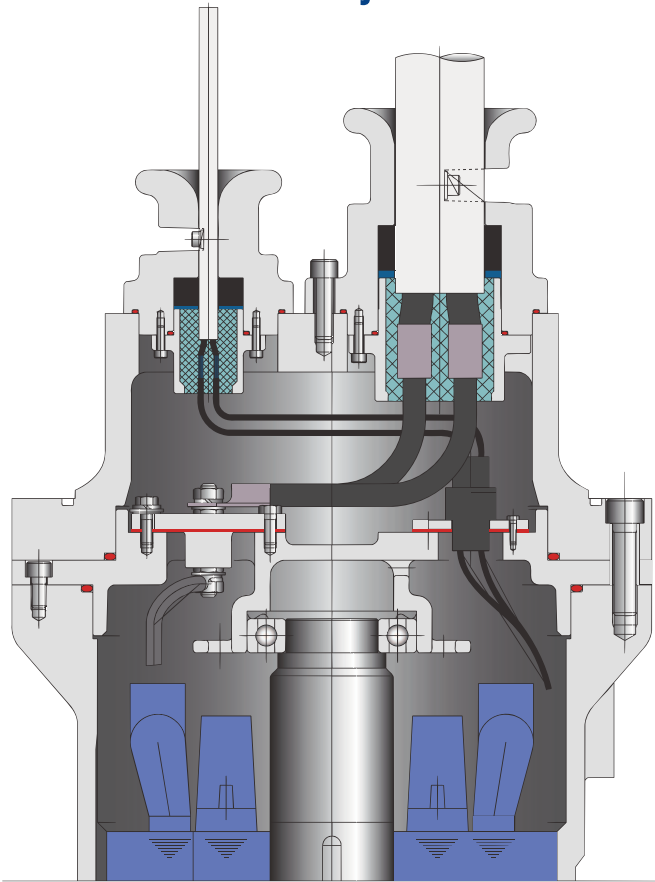
Features

- **Watertight cable entry system** prevents capillary action and protects against moisture; reduces maintenance costs
- **Junction area** includes a terminal board for cable connections allowing for fast efficient replacement; area sealed from the stator housing; prevents leakage into the motor; reduces the possibility of failure
- **Heavy duty, high efficiency, air filled, Class H insulated, rated for 311°F with a 1.10 service factor** dissipates heat easily; thermal protection in each phase of windings protects; operates cooler with higher efficiencies; longer service life with lower operating costs
- **Self cooling jacket** eliminates the need for external pumping devices or special heat transfer fluids; offers simplicity and high reliability by effectively dissipating heat
- **Double and triple row lubricated bearings** carry thrust loading with L-10 life of 100,000 hours; ensures long, dependable operation and lowers maintenance costs
- **Float type leakage detector** provides early warning of mechanical seal failure; avoids costly motor repairs
- **Cartridge type, duplex mechanical seals** assembled in tandem arrangement; easy maintenance and high reliability
- **High efficiency, closed mixed flow impellers** large diameter solids; lowers operating costs
- **Replaceable case liner ring** maintains working clearances while reducing casing costs

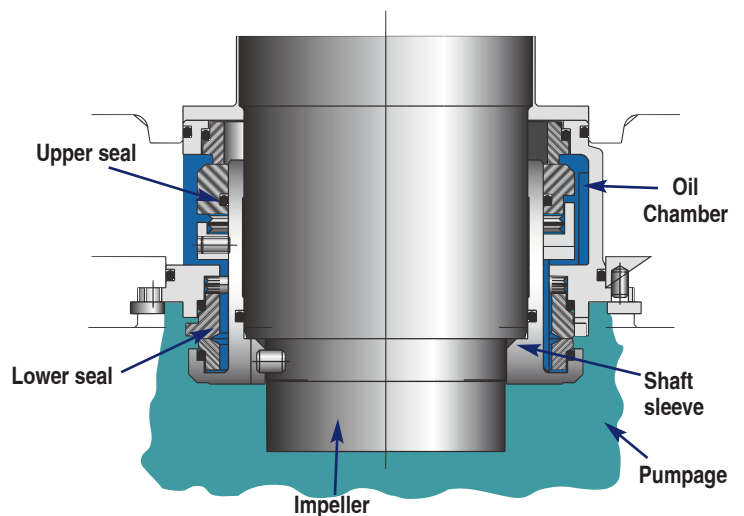
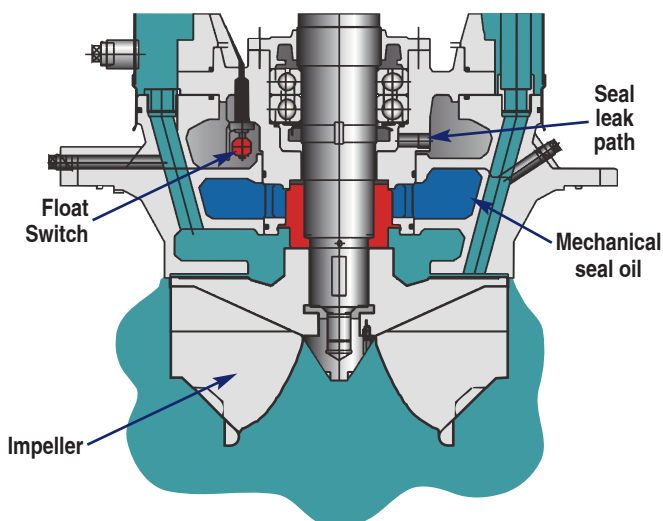


Model DSC3 / DSCA3

Model DSC3 sealed junction area



Leak detection area



- Upper seal O rings — NBR
- Upper seal faces — Carbon vs Ceramic
- Lower seal O rings — Viton
- Lower seal faces — Silicon carbide vs Silicon carbide
- Seal springs — 304SS
- Shaft sleeve — 304SS

Note: Optional seal face materials available

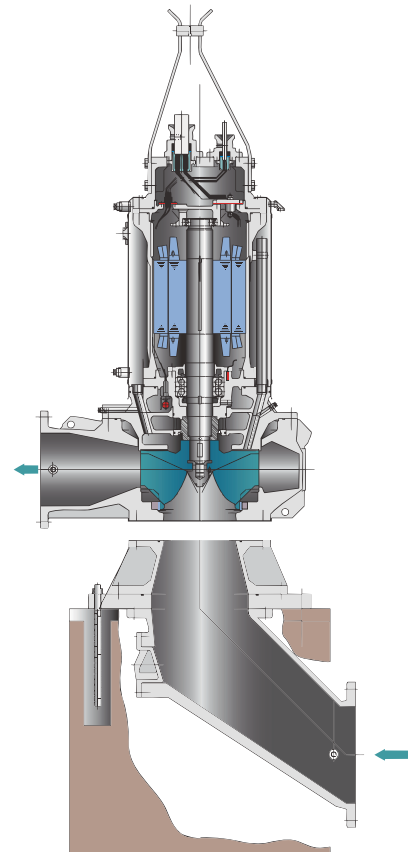
Double mechanical seal detail

Model DSC3 / DSCA3

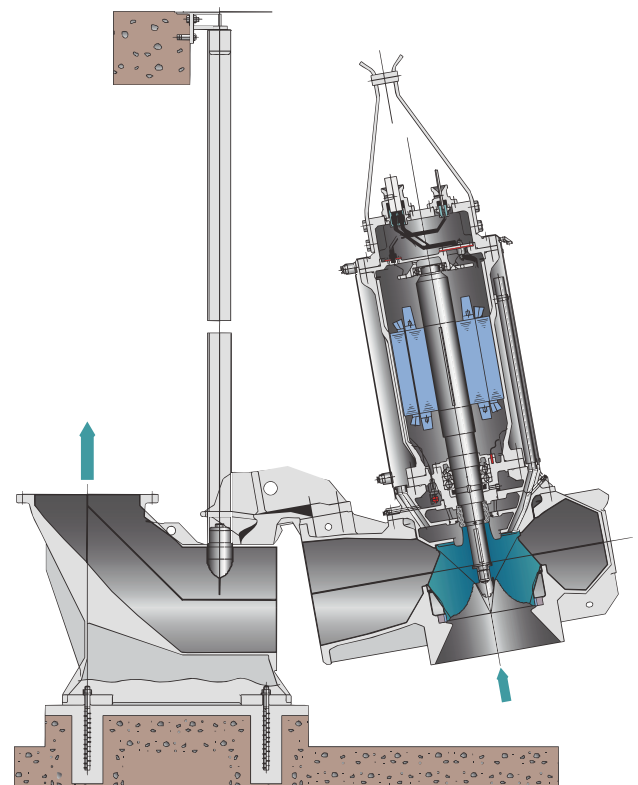
Standard Specifications

| | | |
|---------------------|---------------------|--|
| Design | Discharge | 6 to 24 inch |
| | Horsepower | 30 to 500 |
| | Capacity | 530 to 7000 GPM |
| | Total head | 8 to 300 feet |
| | Max. Liquid temp. | 104°F/40°C |
| | Max. Submergence | 82 feet |
| | Speed | 1800, 1200, 900, 700, 600 RPM |
| Materials | Casing | Cast Iron |
| | Impeller | Cast Iron |
| | Casing Ring | 420 Stainless Steel (enclosed impeller models) |
| | Shaft | 403 Stainless Steel |
| | Motor Frame | Cast Iron |
| | Cooling Jacket | Steel |
| Fastener | 304 Stainless Steel | |
| Construction | Impeller Type | Enclosed Mixed Flow <i>Optional: Impeller Ring (enclosed impeller models)</i> |
| | Shaft Seal | Cartridge type duplex mechanical seals in tandem arrangement |
| | Material – Upper | Carbon/Ceramic |
| | Material – Lower | Silicon Carbide/Silicon Carbide <i>Optional materials available, consult factory.</i> |
| | Bearing | Grease Lubricated Ball Bearing |
| | Motor | Class H insulation Air filled water tight with cooling jacket 15 starts/hour, 1.15 Service Factor <i>Optional: FM explosion proof, Class 1, Group C, D 60Hz, 460V</i> Built-in winding temperature detector Built-in float type leak detector <i>Optional: Temperature detector for thrust bearing</i> |
| | Mounting method | Wet Pit: Quick discharge connector (QDC) Dry Pit: with baseplate (DSCA4) |
| | Accessories | 33 ft. (15.24 m) water tight rubber insulated flexible cable <i>Optional cable lengths available, consult factory.</i> |

ISO 9000, ISO 9001



Dry Pit Installation



Wet Pit Installation

